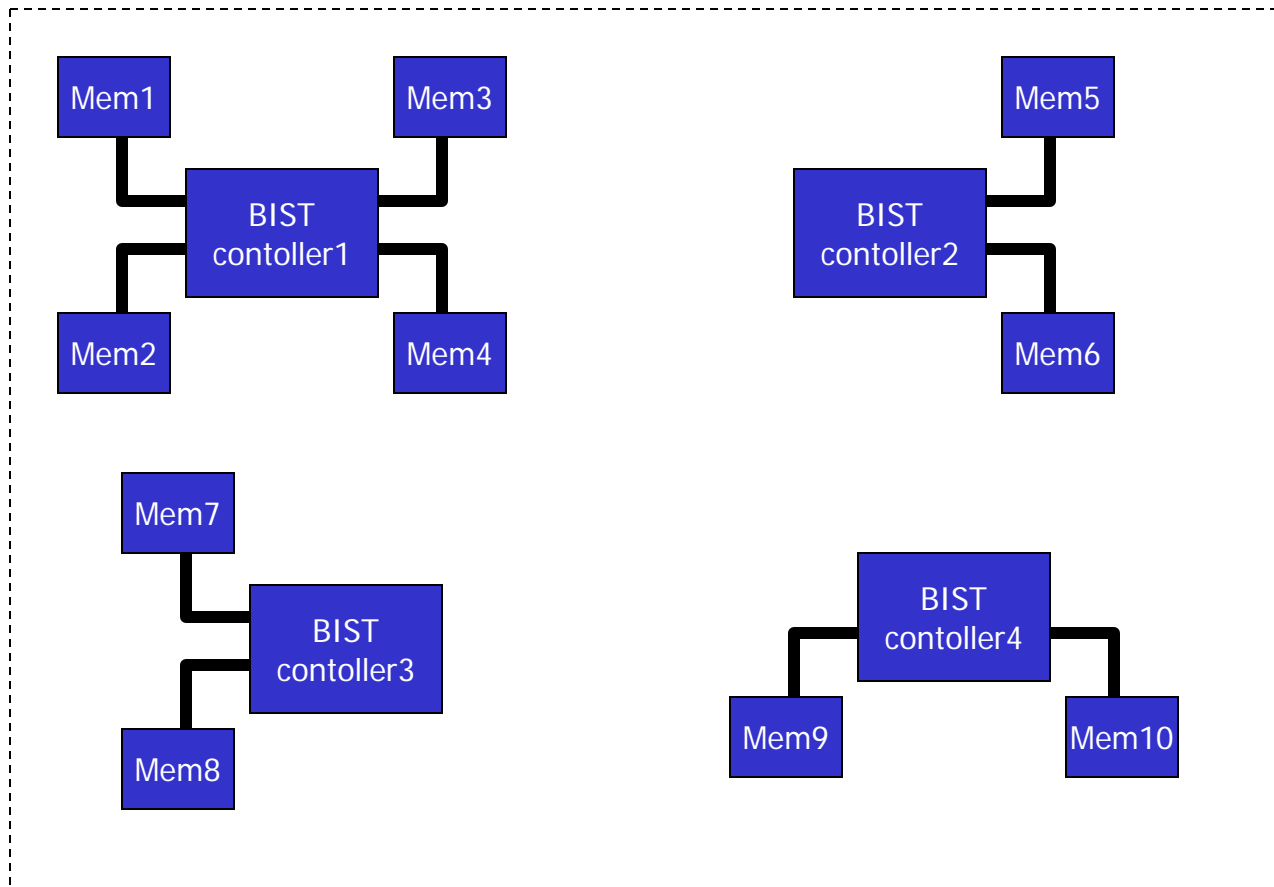




Diagnosis Requirements for Embedded Memory

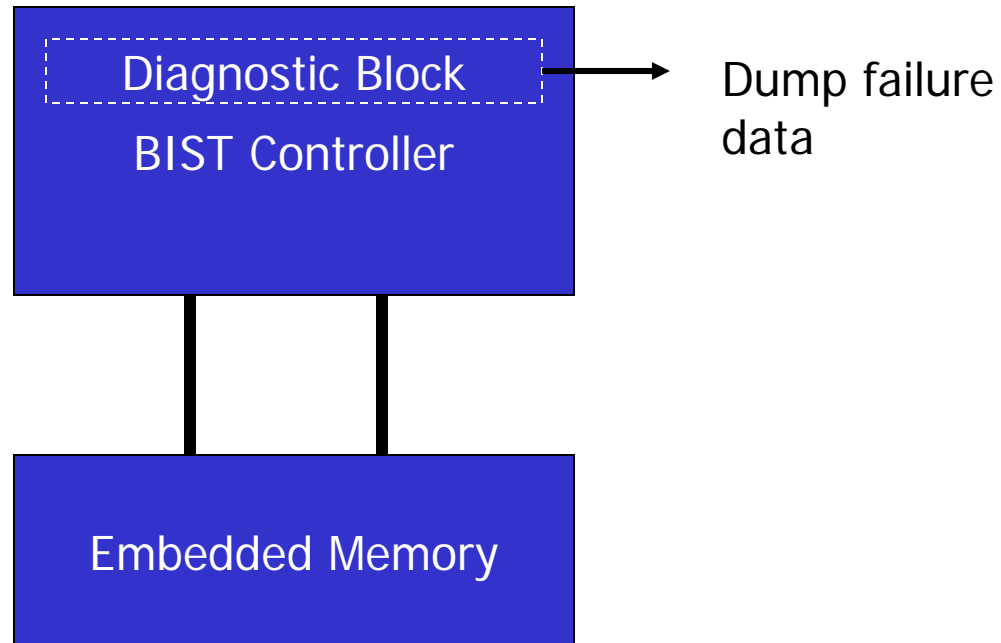
Liyang Lai
Mentor Graphics Corp.

Configuration for Embedded Memory





Diagnostic Support





Fail log requirements

- Generic information such as wafer id, die id
- Controller id or memory id
 - Where the failure data come from?
- Failure data
 - For each failing read operation
 - Content : user defined
- Bitmap (debatable)
 - Depends on capability of test program



Notes on Failure Data

- Interpretation on failure data depends on the BIST controller design
- Each type of MBIST controller must have a decipher tool for deciphering failure data.